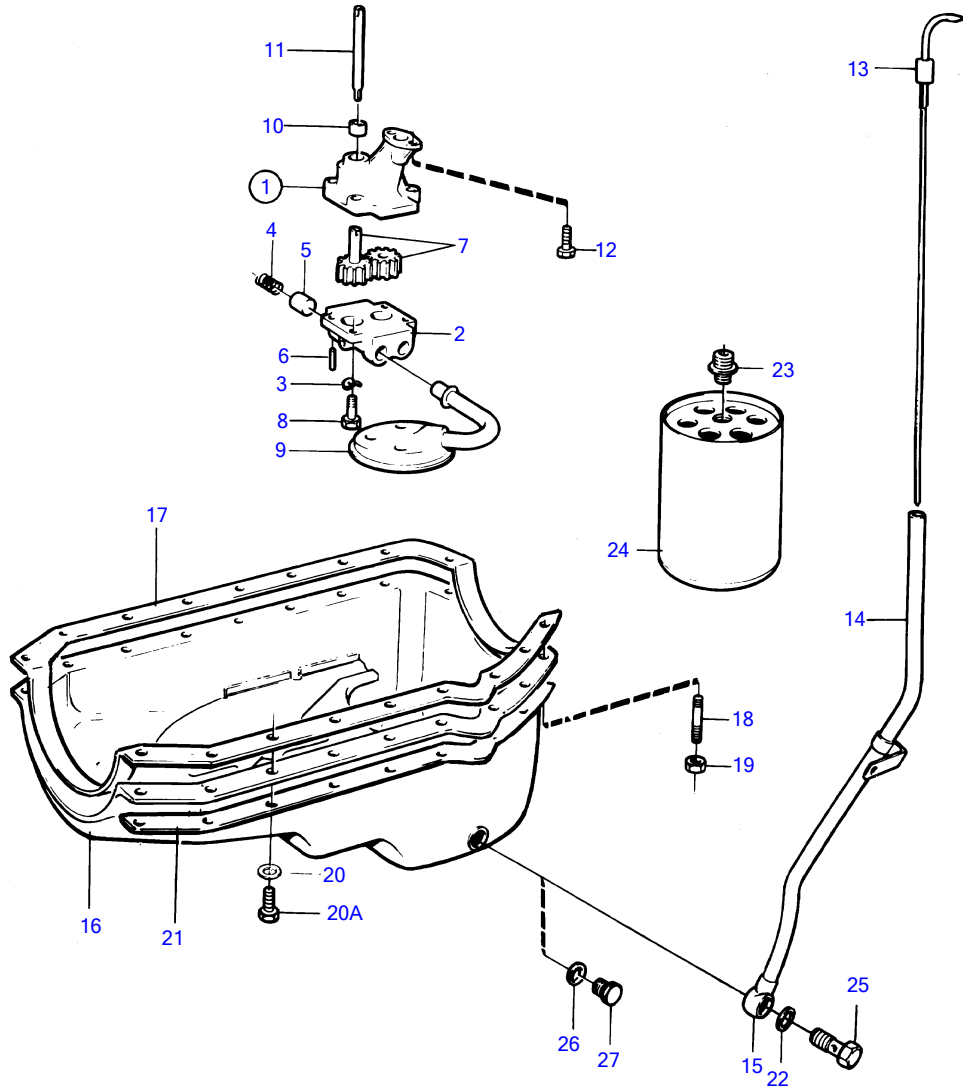


432A, 434A



9257

432A, 434A

REF	PART NO.	QTY	DESCRIPTION	SEE SEC.	NOTES
1	856390	1	Oil pump		Included in basic engine, See group 10A
2		1	• cover		
3		4	• resilient washer		
4		1	• spring		
5		1	• valve		
6		1	• lock pin		
7		2	• gear		
8		4	• screw		
9	835372	1	Oil strainer		
10	835374	1	Sleeve		
11	835373	1	Shaft		
12	955550	1	Hexagon screw		
13	(835414)	1	Oil dipstick		Obsolete part
14	856248	1	Tube		
15		1	• nipple		
16	856386	1	Sump		Included in basic engine, See group 10A
17	856402	1	Gasket		
18	855808	2	Stud		Included in seal 855907.
19	(945457)	2	Nut		Obsolete part
20	955893	12	Washer		
20A	940100	12	Hexagon screw		
21	856388	1	Reinforcement		Right SIDE
	856389	1	Reinforcement		Left side
22	841953	1	Gasket		
23	856391	1	Retainer		
24	841750	1	Oil filter		
			Bulletin P-21-7-1	P-21-7-1-EN	Oil Filters, GM gas engines
25	954393	1	Hollow screw		
26	856295	1	Gasket		
27	841215	1	Plug		